



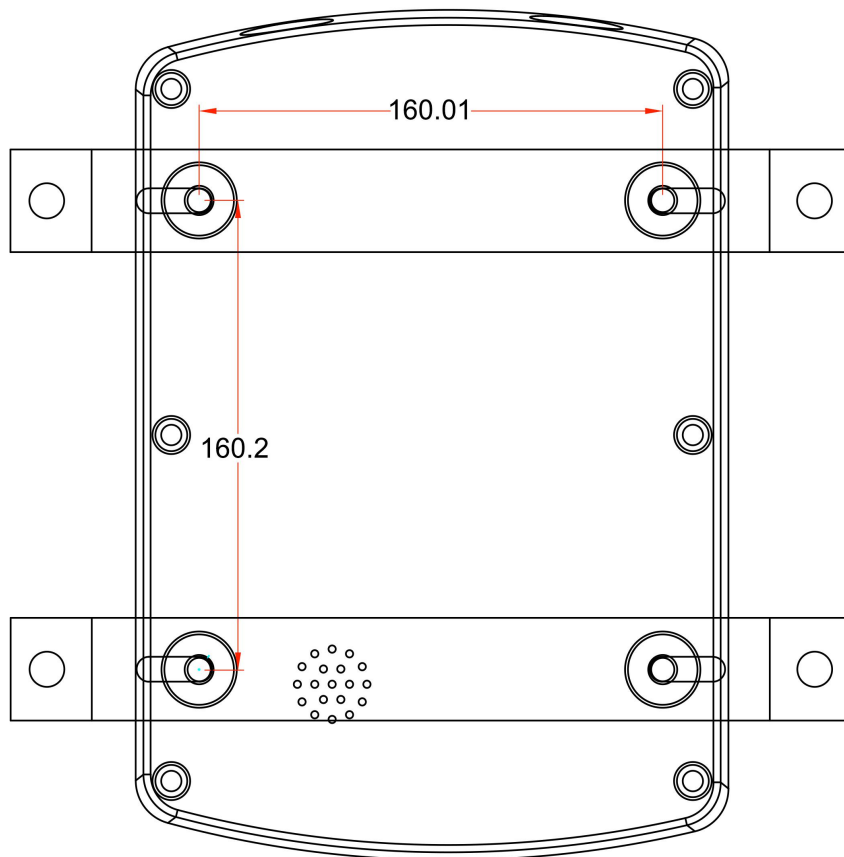
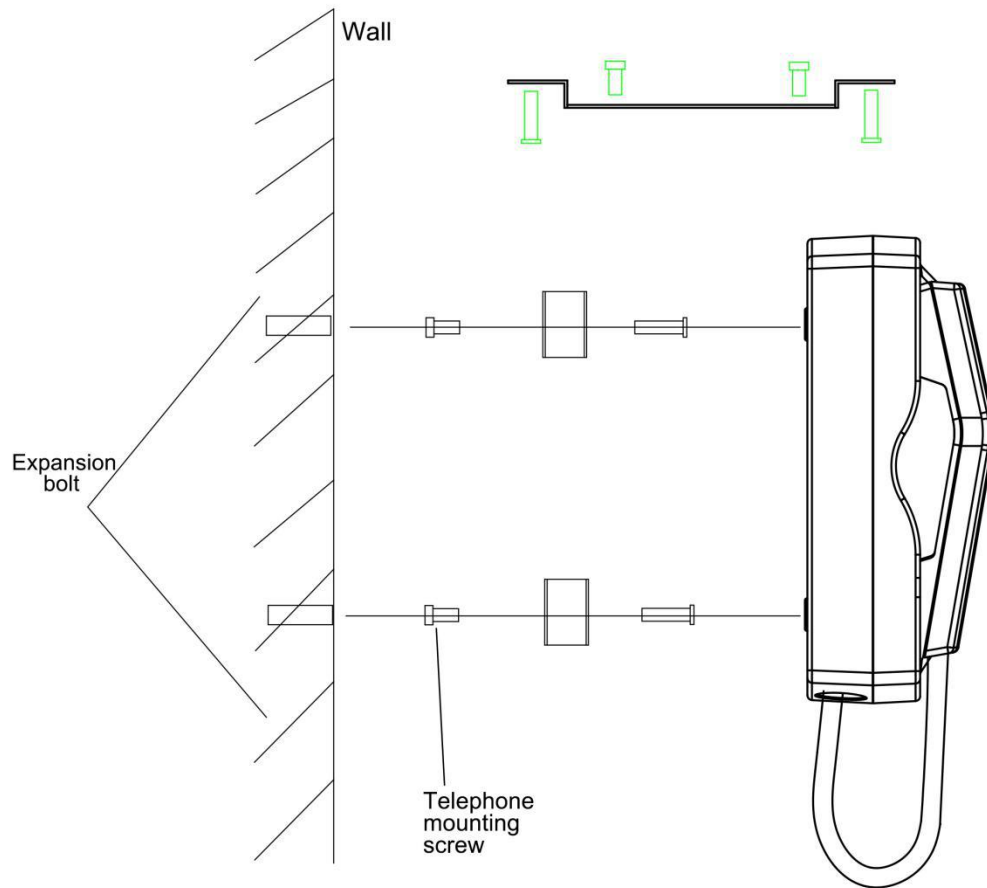
VOIP KNSP-18T-IP-Y Waterproof Telephone

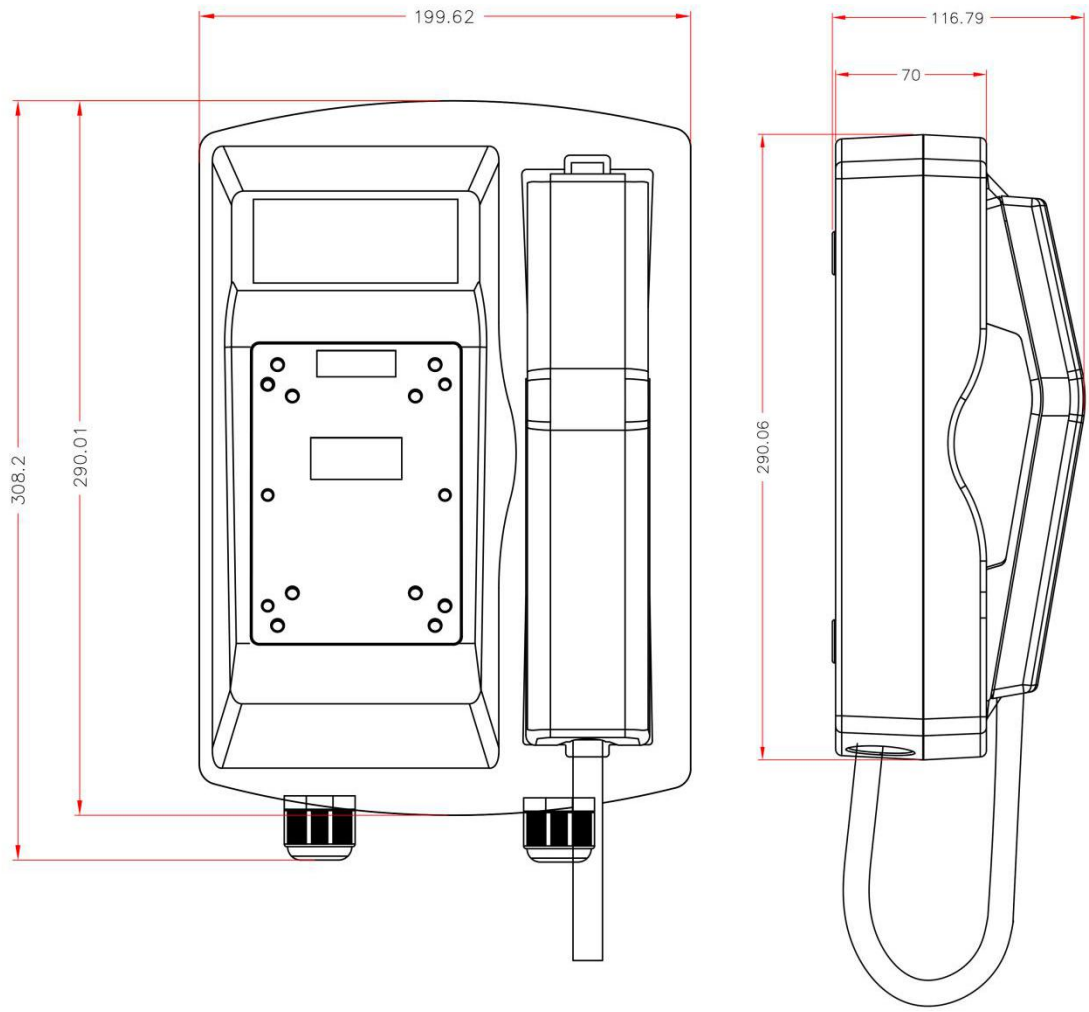
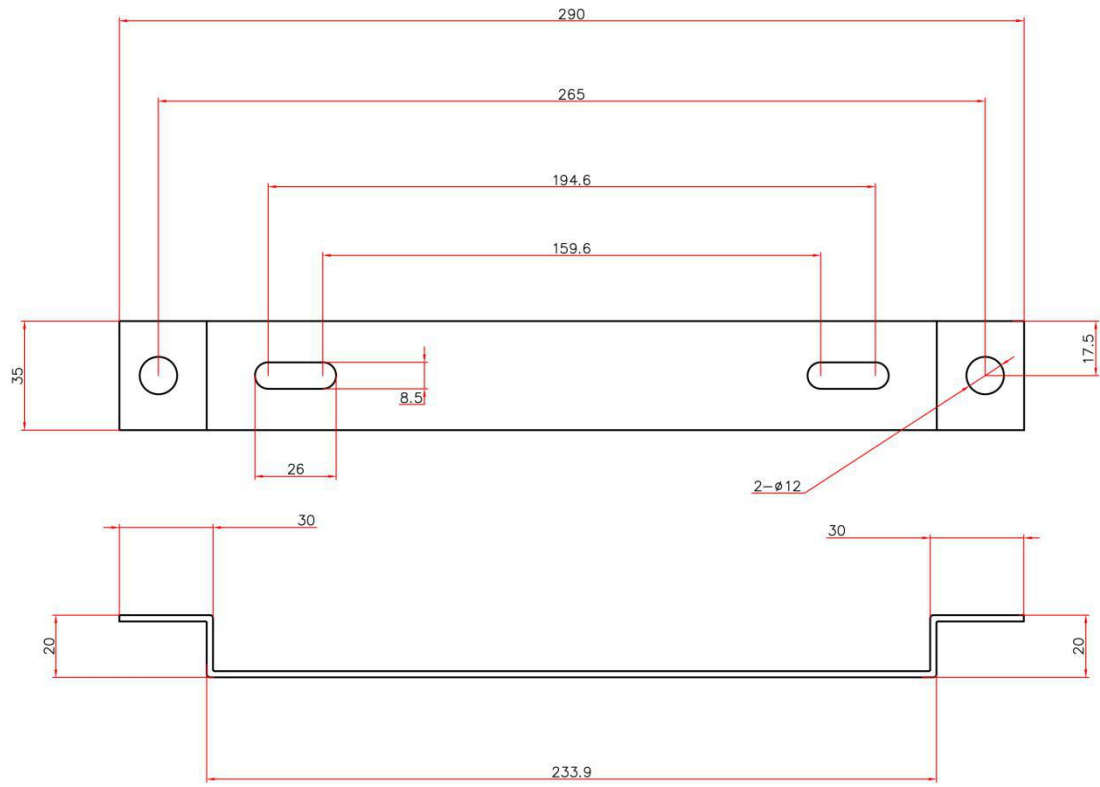
DESCRIPTION ITEM NO.

1. Robust SMC 2600 glass fibre reinforced polyester die-cast body, Vandal & tamper-resistant hardware, easy Installation.
2. Without keypad, support hotline setting. Lifting machine automatic dialing.
3. Weather resistant to IP66 standard.
4. Magnetic reed hook-switch.
5. DC input overvoltage overcurrent protection and RJ 45 surge protection.
6. Heavy Duty handset with hearing Aid compatible(HAC) receiver, Noise canceling microphone.
7. Handset with industrial strong armored cord .
8. temperature range from -40 degree to +70 degree.
9. Support echo cancellation.
10. Remote software upgrade, configuration and monitoring.
11. Optional 7 minute time-limited call.(This function upon buyer's requirement).
12. Powder coated in UV stabilized polyester finish.
13. Application: Tunnel, metro, railway, LRT, speedway, marine, ship, offshore, mine, power plant, bridge etc.



INSTALLATION





PACKNG

Unit size:290 *205*117mm N.W: 4KG

1pcs packing box size: 332*210*125mm N.W: 4.79KG

6pcs in 1 outer Carton box: size: 670*352*315mm N.W: 30.5KG

