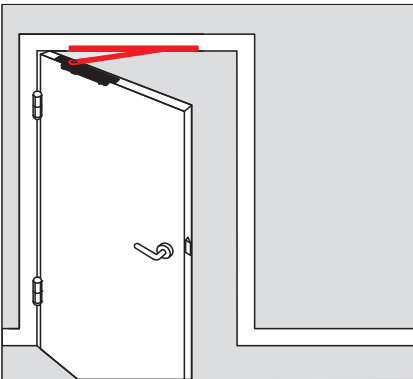


WN 058219 45532
04/12



G 96 N20
DIN L 52 00 37 01
DIN R 52 00 38 01

ITS 96
EN 2-4 52 40 01 50
EN 3-6 52 25 01 50

ITS 96 FL
EN 3-6 52 63 01 50

X=8,5

A

X=12

B

ITS 96
EN 2-4 52 41 01 50
EN 3-6 52 26 01 50

ITS 96 FL
EN 3-6 52 64 01 50

X=12,5

C

X=16

D

ITS 96
EN 2-4 52 42 01 50
EN 3-6 52 27 01 50

ITS 96 FL
EN 3-6 52 65 01 50

X=16,5

E

X=20

F

ITS 96 FL

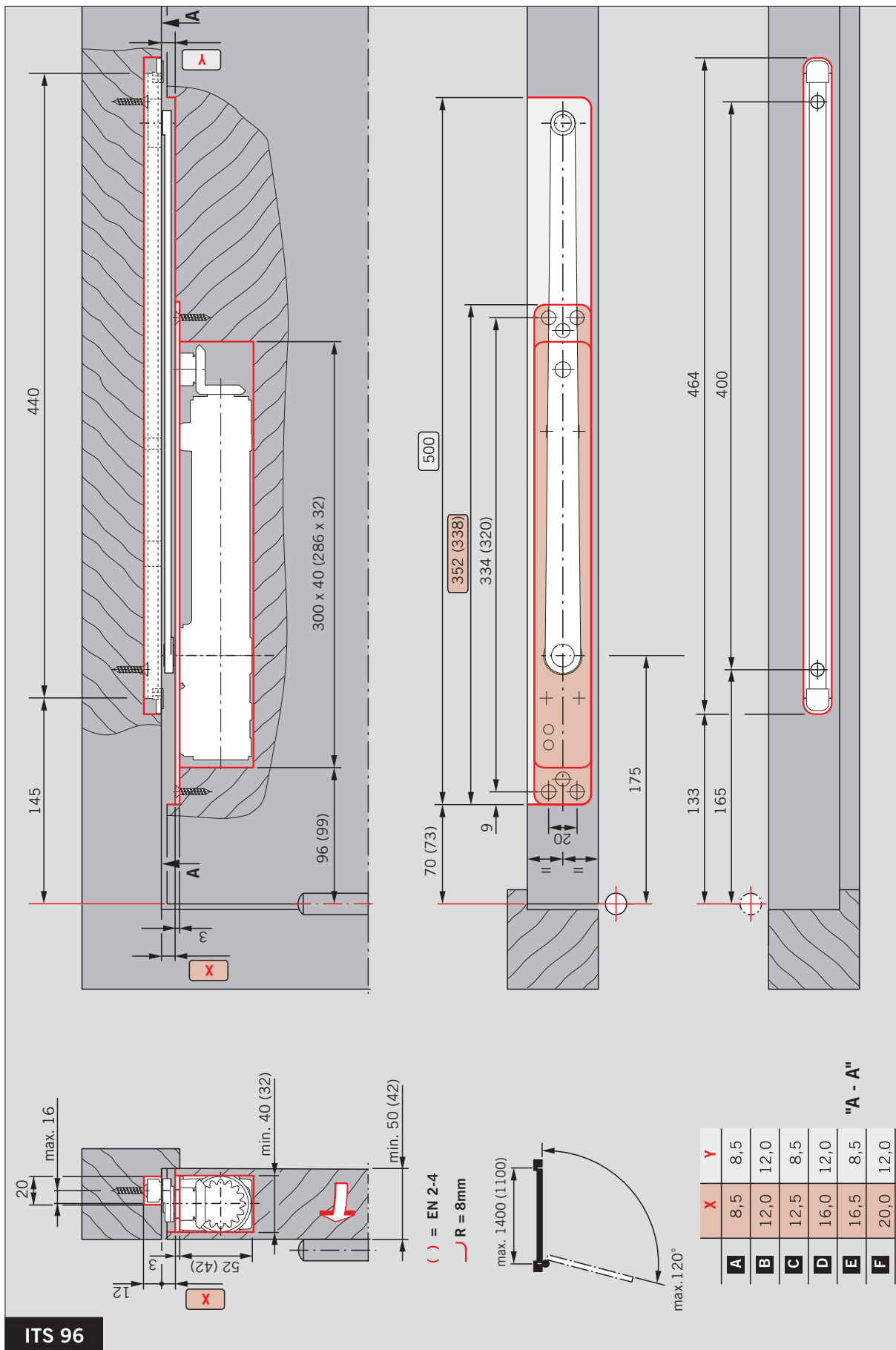
	DORMA GmbH + Co. KG Postfach 4009 58 247 Ennepetal	12
0432-CPD-0037	EN 1154:1996+A1:2002 EN 1155:1997+A1:2002	3 8 3-6 1 1 4 3 8 3-6 1 1 4

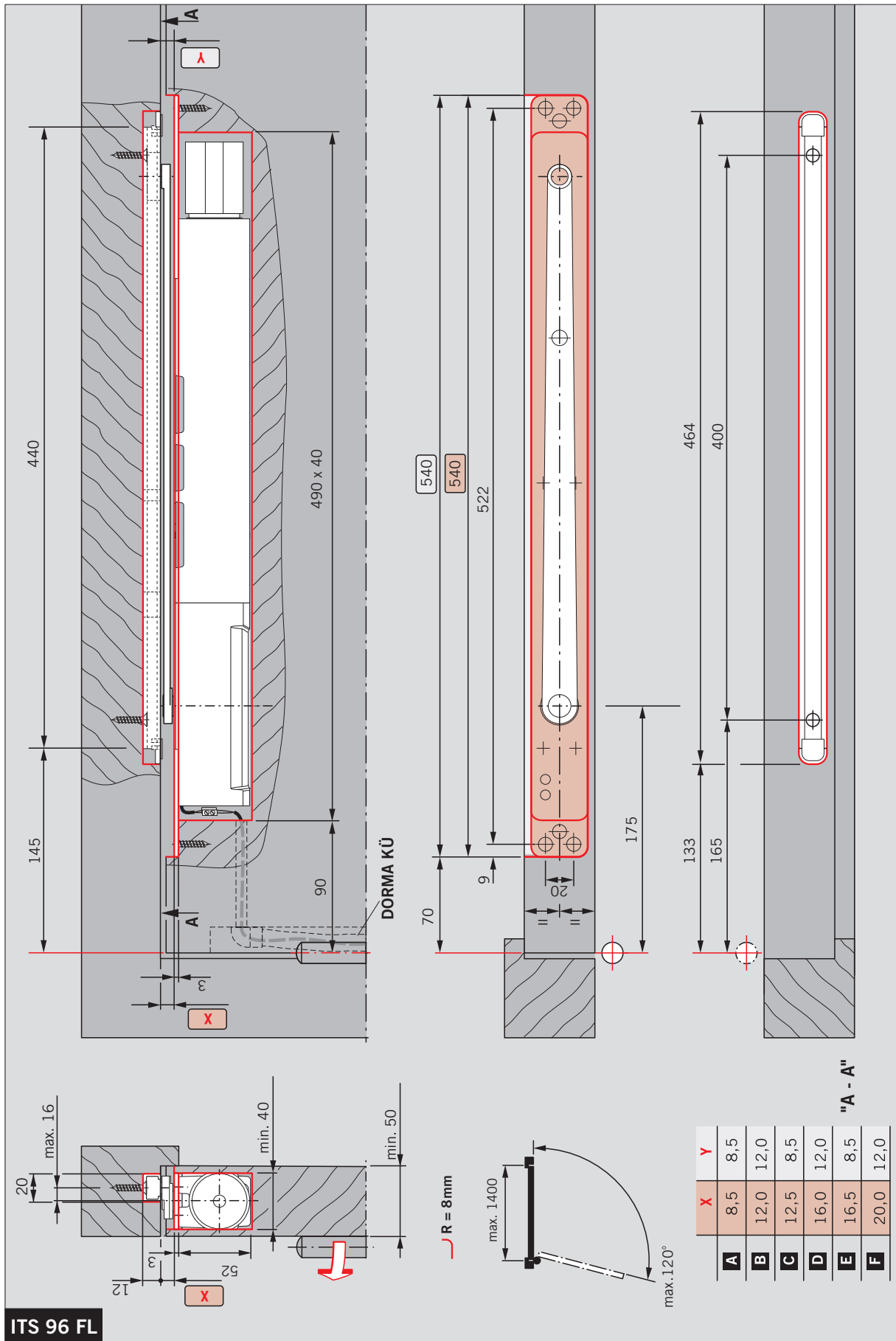
Dangerous substances: None

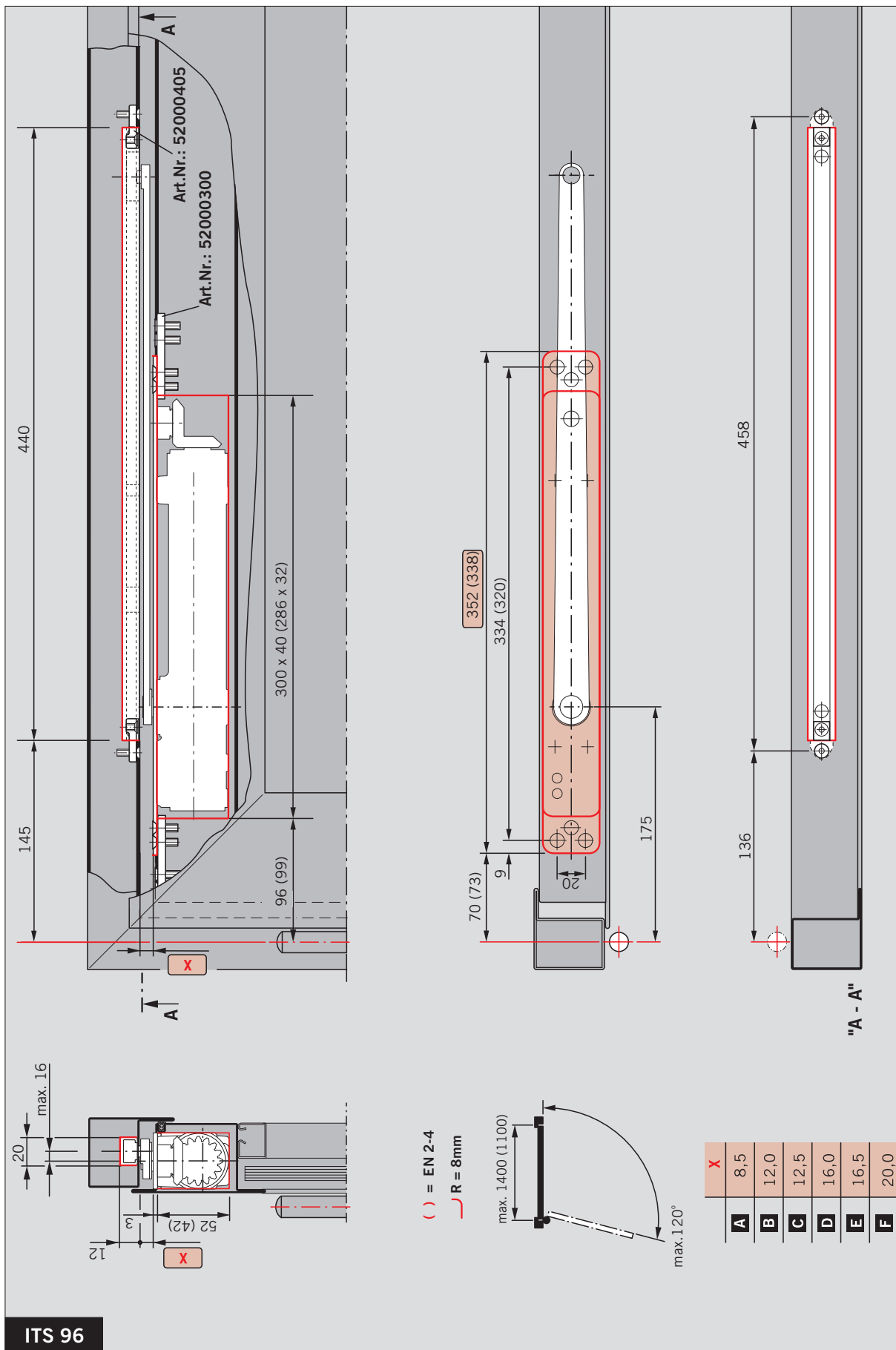
ITS 96

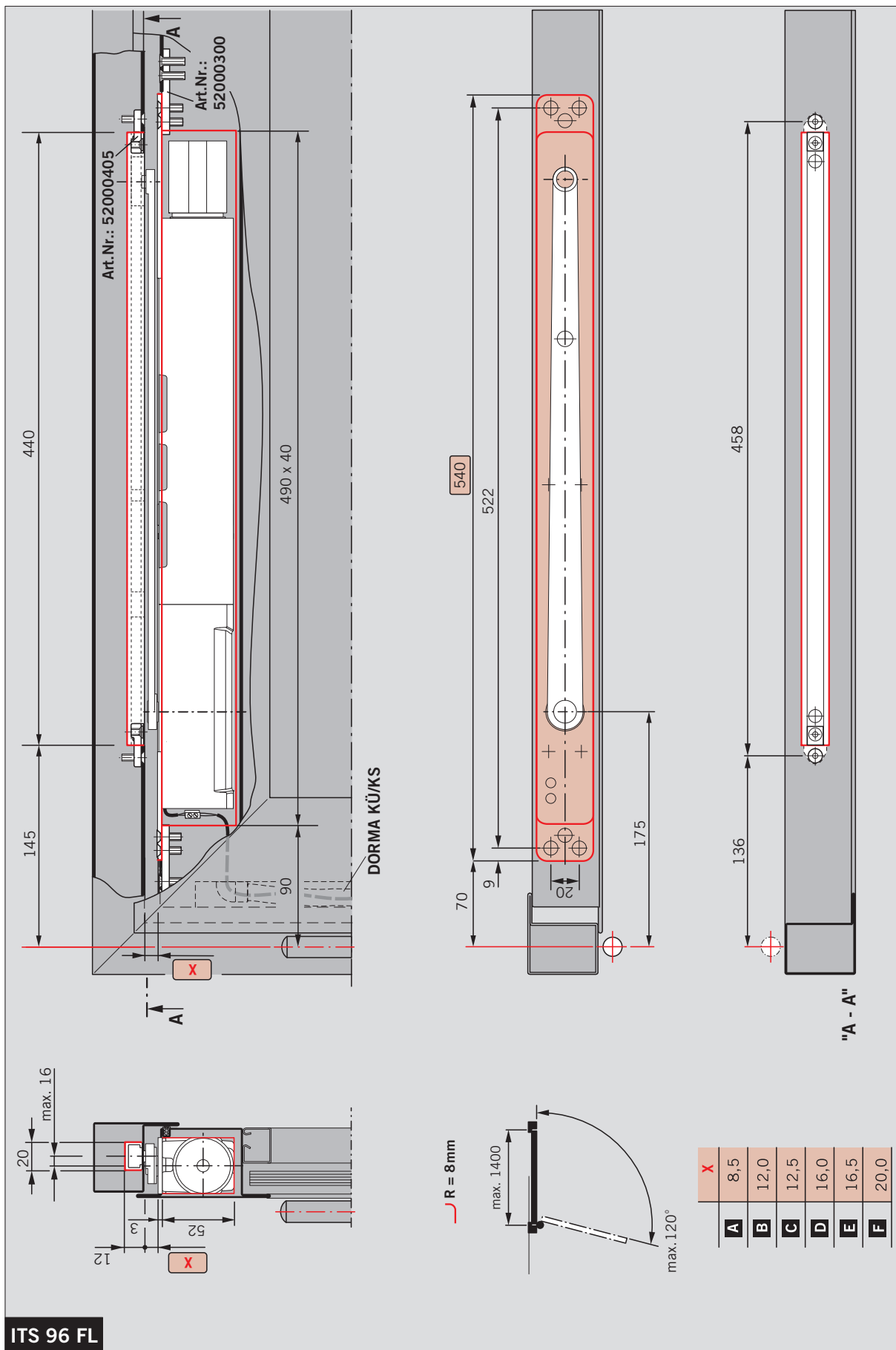
	DORMA GmbH + Co. KG Postfach 4009 58 247 Ennepetal	04
0432-BPR-0009	EN 1154:1996+A1:2002	3 8 2-4 1 1 4 3 8 3-6 1 1 4

Dangerous substances: None

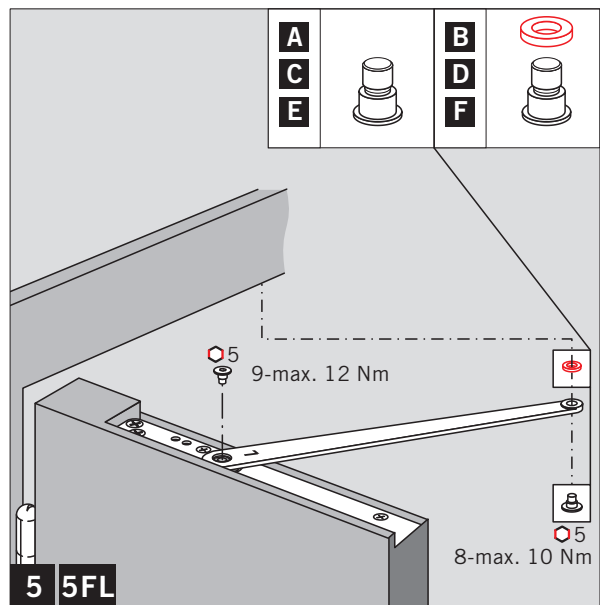
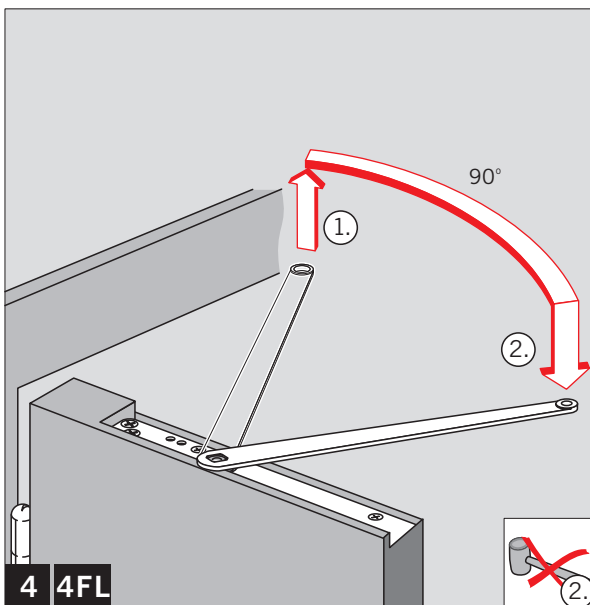
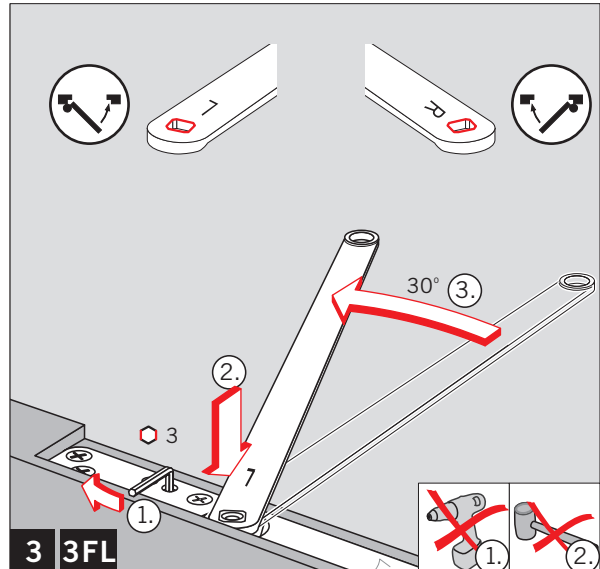
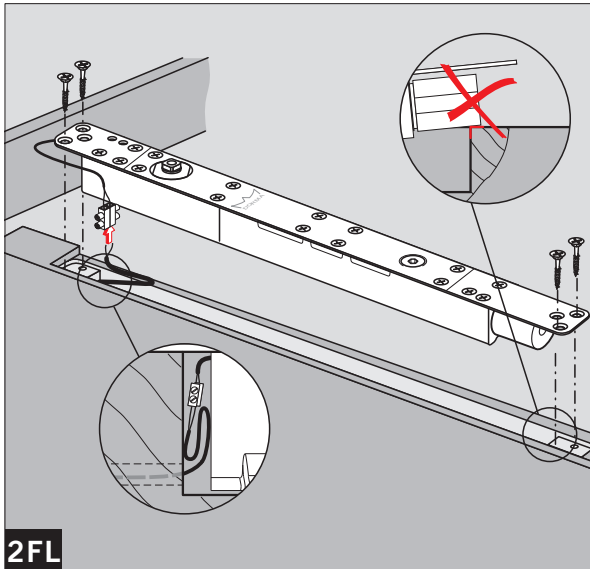
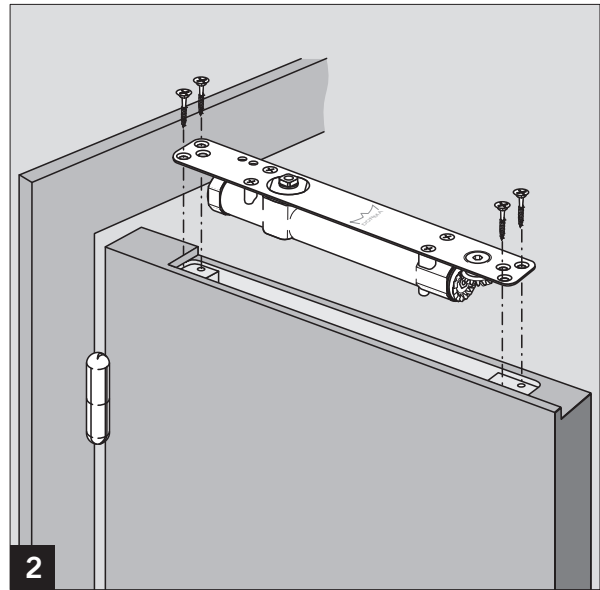
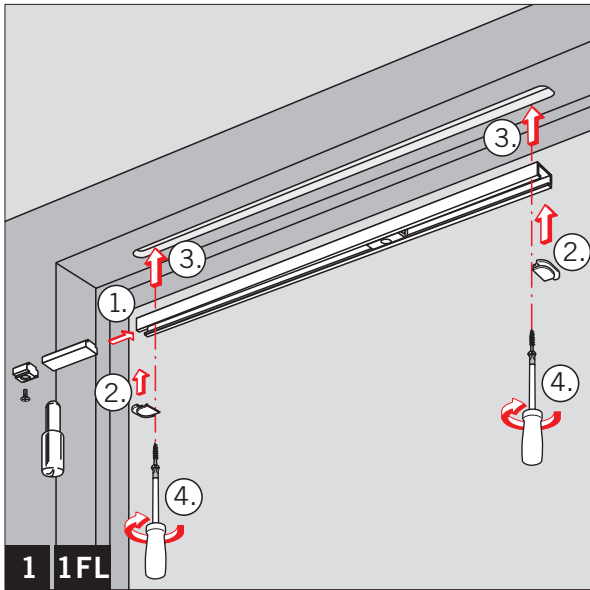


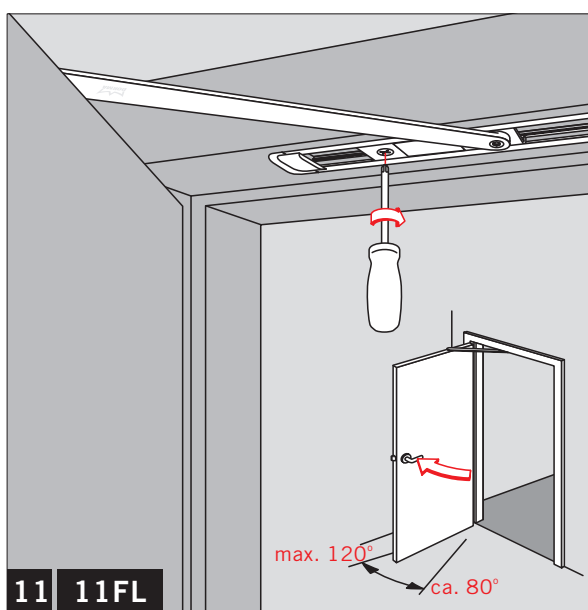
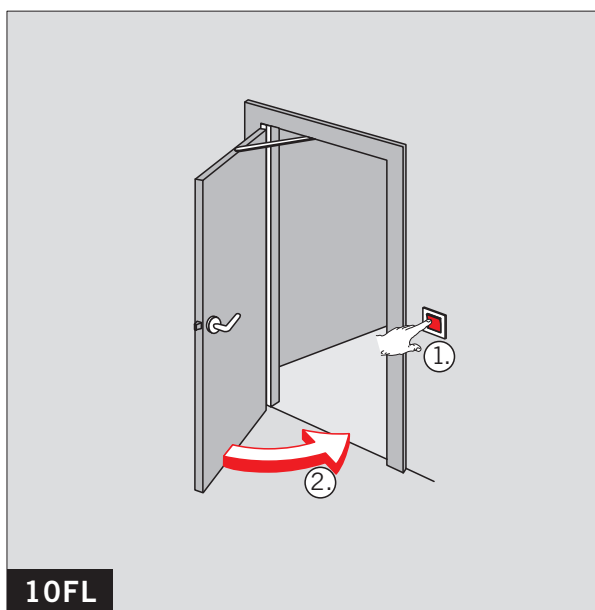
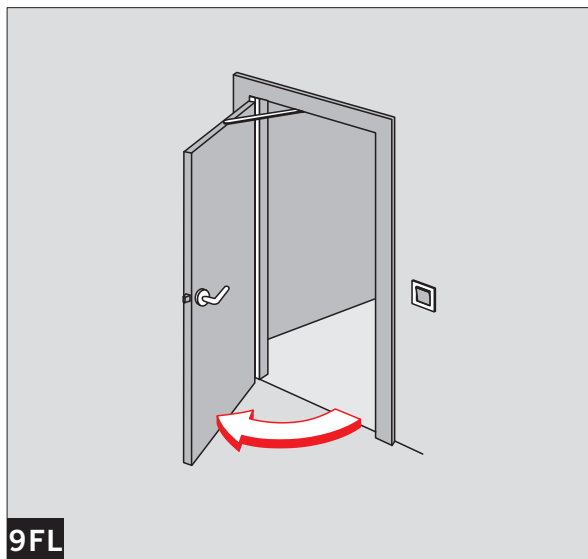
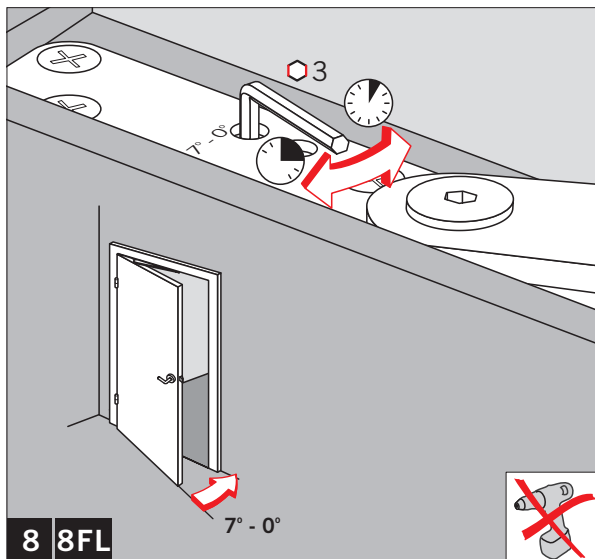
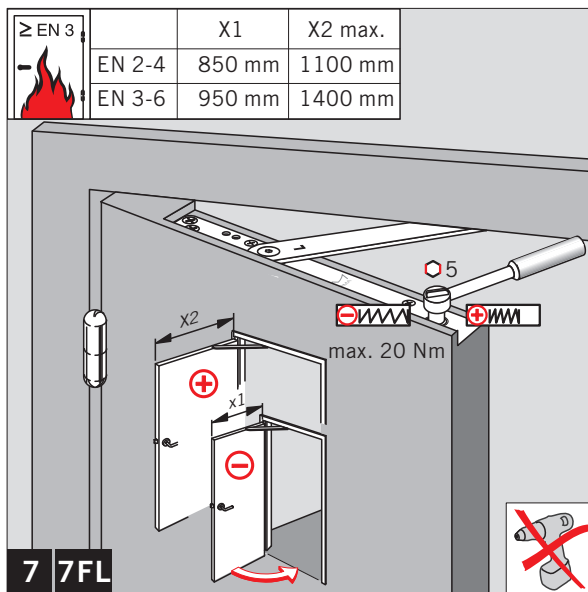
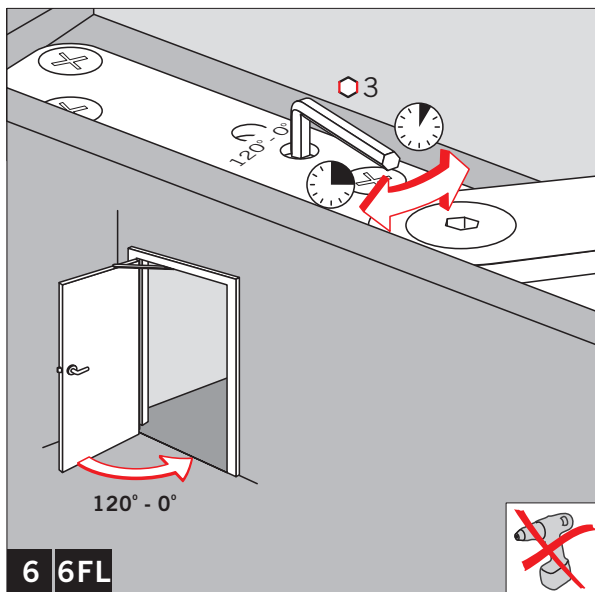






ITS 96 FL





DORMA

ITS 96/ITS 96 FL
+ G 96 N 20



Änderungen vorbehalten
Subject to change without notice