



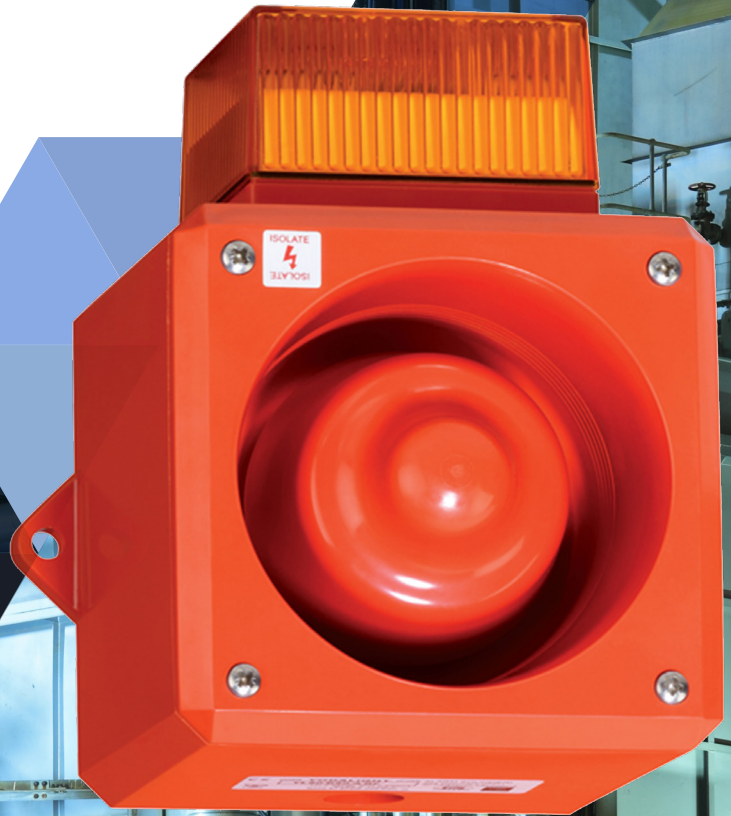
Clifford & Snell

Yodalight YL50

Multi-purpose Audible & Visual Signalling Device designed for use in Commercial, Industrial & Marine applications

PRODUCT FEATURES

- Max sound output 112 dB(A) @ 1m
- IP66 rated as standard
- Beacon options include:
 - 5 Joule Xenon Strobe
 - 2.5 Joule Xenon Strobe
- 32 selectable tones meeting international regulations
- Stainless steel fixings
- 2 stage alarm
- Independently selectable second stage option
- Lens available in eight colours
- Low current consumption



Product Approvals



TECHNICAL DATA

Electrical Data	
Operating Voltage	Current Draw
24vDC ---	345mA at Tone 1
48vDC ---	195 mA
115vAC ~	130 mA
230vAC ~	95 mA

Mechanical Data	
Enclosure Material	ABS
Lens Material	Polycarbonate
External Fixings	Stainless Steel
Degree of Protection	IP66 (IEC60529)

Ambient Conditions	
Operating Temperatures	
Standard General	-35 °C to +70 °C
Storage Temperature	-40 °C to +70 °C
Max. Relative Humidity	93% ± 3 at 40 °C

Acoustic Data	
Maximum Volume Output	112dB (A)
Volume Control Adjustment	-18 dB (A)
2 Stage Alarm with predetermined second stage as standard.	
Selectable second stage option available (DC units only) (2)	

Mounting / Installation

Devices should be mounted to a suitable flat wall or bulkhead avoiding any undue vibration and using the two lugs projecting from the case. The lugs are bored 8mm on 153mm centres. The minimum length of fixing screw required is 25mm. To maintain the IP rating of the enclosure, the cable entries must be fitted with a suitably rated cable gland (included). Max cable termination 2.5mm².

Luminous Characteristics	
Xenon Tube	5J Output (2.5J Option Available)
Flash Rate	60 FPM
Lens Colour	Effective Candela (cd) (5J Xenon)
Clear	72.10
Red	8.92
Amber	25.52
Blue	14.09
Green	29.70
Opal	65.78

Line integrity on DC systems

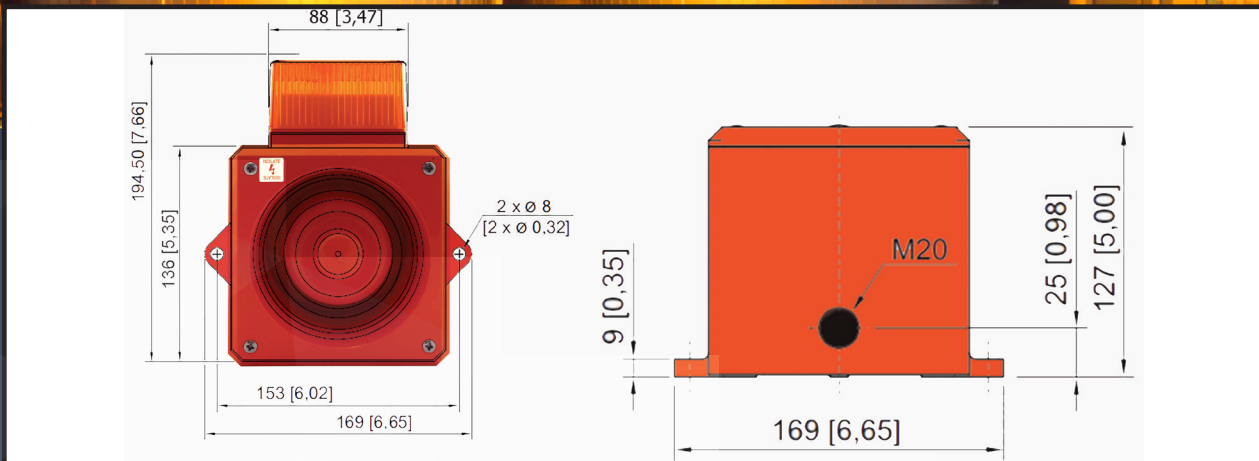
- For 3 wire 2 stage alarm system, monitor via reverse polarity.
- For 2 wire 2 stage alarm system, monitor via threshold, (applied voltage<1v) an end-of-line (E.O.L) resistor is required for line monitoring and should have a minimum resistance of 3k3 Ohms and 0.5 Watts, wire-wound or metal film type.

Multi-Stage Alarm Options

Standard units offer a 2 stage alarm system with a predetermined second stage (see tone table on the installation sheet for details). A selectable second stage option is available for DC units only with the (2) prefix code in the selection table on page 3. Units with upto 8 independently selectable stages are available in a range of input voltages. Contact our technical dept for further information.

Dimensional Drawing

We reserve the right to make alterations to the technical data, dimensions, weights, designs and products available without notice. The illustrations cannot be considered binding. All Dimensions in mm [inches] - Subject to alterations



SELECTION

Version	Enclosure Colour	Flash Energy	Rated Operational Voltage	Lens Colour	Order Number	Weight (kg)
YL50 Sounder/ Strobe combination	RAL 2002	5 J	24vDC ---	Amber	YL50/D50/A/RF/WR	1.010
				Red	YL50/D50/R/RF/WR	1.010
				Green	YL50/D50/G/RF/WR	1.010
				Opal	YL50/D50/O/RF/WR	1.010
				Blue	YL50/D50/B/RF/WR	1.010
				Clear	YL50/D50/C/RF/WR	1.010
			24vDC --- Independently Selectable 2 nd Stage Version	Amber	YL50/D50/A/RF/WR(2)	1.010
				Red	YL50/D50/R/RF/WR(2)	1.010
				Green	YL50/D50/G/RF/WR(2)	1.010
				Opal	YL50/D50/O/RF/WR(2)	1.010
				Blue	YL50/D50/B/RF/WR(2)	1.010
				Clear	YL50/D50/C/RF/WR(2)	1.010
			48vDC ---	Amber	YL50/F50/A/RF/WR	1.010
				Red	YL50/F50/R/RF/WR	1.010
				Green	YL50/F50/G/RF/WR	1.010
				Opal	YL50/F50/O/RF/WR	1.010
				Blue	YL50/F50/B/RF/WR	1.010
				Clear	YL50/F50/C/RF/WR	1.010
			115vAC ~	Amber	YL50/L50/A/RF/WR	1.090
				Red	YL50/L50/R/RF/WR	1.090
				Green	YL50/L50/G/RF/WR	1.090
				Opal	YL50/L50/O/RF/WR	1.090
				Blue	YL50/L50/B/RF/WR	1.090
				Clear	YL50/L50/C/RF/WR	1.090
230vAC ~	Amber	YL50/N50/A/RF/WR	1.090			
	Red	YL50/N50/R/RF/WR	1.090			
	Green	YL50/N50/G/RF/WR	1.090			
	Opal	YL50/N50/O/RF/WR	1.090			
	Blue	YL50/N50/B/RF/WR	1.090			
	Clear	YL50/N50/C/RF/WR	1.090			
Purple (Magenta) & Yellow Beacon Lenses available upon request.						
24vAC versions are available upon request						