

**WALL TILT BRACKET SR-TB3**

The SR-TB3 is a Wall Tilt Bracket designed to install the Line Array Speaker SR-H2L, SR-H2S, SR-H3L or SR-H3S vertically on a wall. It allows the speaker direction angle to be adjusted in the range of 0° to 5° downward and 0° to 15° leftward or rightward.

**1. SAFETY PRECAUTIONS**

- Before installation or use, be sure to carefully read all the instructions in this section for correct and safe operation.
- Be sure to follow all the precautionary instructions in this section, which contain important warnings and/or cautions regarding safety.
- After reading, keep this manual handy for future reference.

**⚠ WARNING**

Indicates a potentially hazardous situation which, if mishandled, could result in death or serious personal injury.

- Install the unit only in a location that can structurally support the weight of the unit and the speaker. Doing otherwise may result in the unit falling down and causing personal injury and/or property damage.
- Since the unit is designed for in-door use, do not install it outdoors. If installed outdoors, the aging of parts causes the unit to fall off, resulting in personal injury.
- Do not use other methods than specified to mount the bracket. Extreme force is applied to the unit and the unit could fall off, possibly resulting in personal injuries.
- Use nuts and bolts that are appropriate for the wall material and structure. Failure to do so may cause the speaker to fall, resulting in material damage and possible personal injury.
- Tighten each nut and bolt securely. Ensure that the bracket has no loose joints after installation to prevent accidents that could result in personal injury.
- Use the specified speaker in combination. Doing otherwise may cause the unit or component to fall off, resulting in personal injury.
- Do not mount the unit in locations exposed to constant vibration. The mounting bracket can be damaged by excessive vibration, potentially causing the unit to fall, which could result in personal injury.

**⚠ CAUTION**

Indicates a potentially hazardous situation which, if mishandled, could result in moderate or minor personal injury, and/or property damage.

- Avoid touching the unit's sharp metal edge to prevent injury.
- Do not stand or sit on, nor hang down from the unit as this may cause it to fall down or drop, resulting in personal injury and/or property damage.
- Have the unit checked periodically by the shop from where it was purchased. Failure to do so may result in corrosion or damage to the unit or speaker that could cause the unit to fall, possibly causing personal injury.

**2. SPECIFICATIONS**

Applicable Speaker	SR-H2L, SR-H2S, SR-H3L, SR-H3S
Finish	Rolled steel plate, white, paint
Dimensions	64 (w) x 296 (h) x 50 (d) mm (2.52" x 11.65" x 1.97")
Weight	1.4 kg (3.09 lb)
Component	Speaker mounting bracket ..... 1, Bracket A ..... 1, Bracket B ..... 1, Joint bracket ..... 1
Accessories	Hex bolt M5 x 25 (with washer) ..... 4 Hex bolt M6 x 16 (with washer) ..... 10

**Note:** The design and specifications are subject to change without notice for improvement.

**3. INSTALLATION**

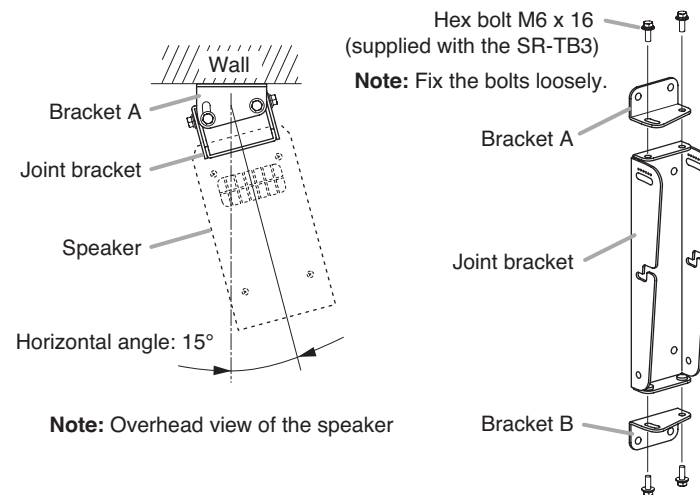
**Note:** Only 1 speaker can be installed using the SR-TB3.

**Step 1. Assemble the Bracket base, then install it on a wall.**

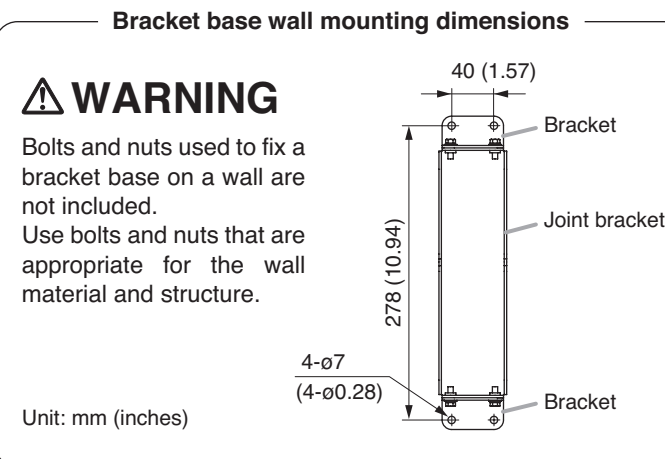
- 1-1.** Attach the Brackets A and B loosely to the Joint bracket to make up a bracket base. Determine Bracket A and B mounting positions (top or bottom) depending on which the speaker is to face left or right.

**Note**

The figure below shows an example when facing the speaker rightward. Change the mounting positions of the Brackets A and B with each other when facing the speaker leftward.



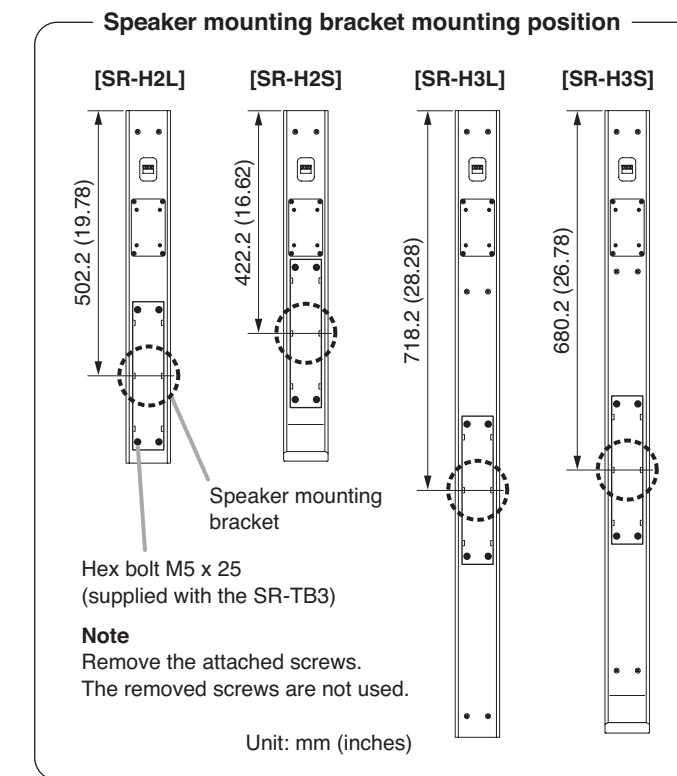
- 1-2.** Install the Bracket base on a wall.



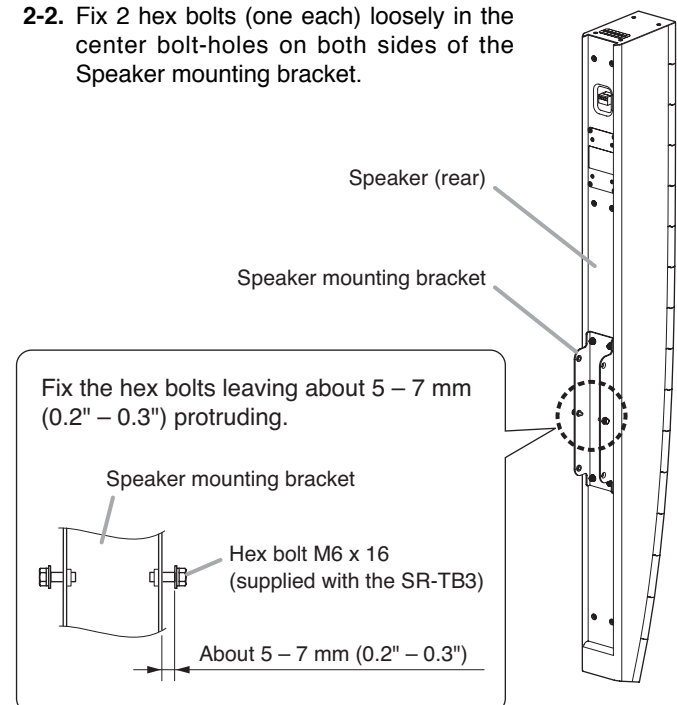
- 1-3.** Determine the speaker's horizontal angle by adjusting the angle of Joint bracket. Horizontal angle can be adjusted from 0° to 15°. After the speaker's horizontal direction has been determined, securely tighten 4 bolts loosely fitted in Step 1-1.

**Step 2. Attach the Speaker mounting bracket to the speaker's rear surface.**

- 2-1.** Remove the specified screws on the speaker's rear surface, then use their screw holes to secure the Speaker mounting. In this event, the removed screws are not used.



- 2-2.** Fix 2 hex bolts (one each) loosely in the center bolt-holes on both sides of the Speaker mounting bracket.

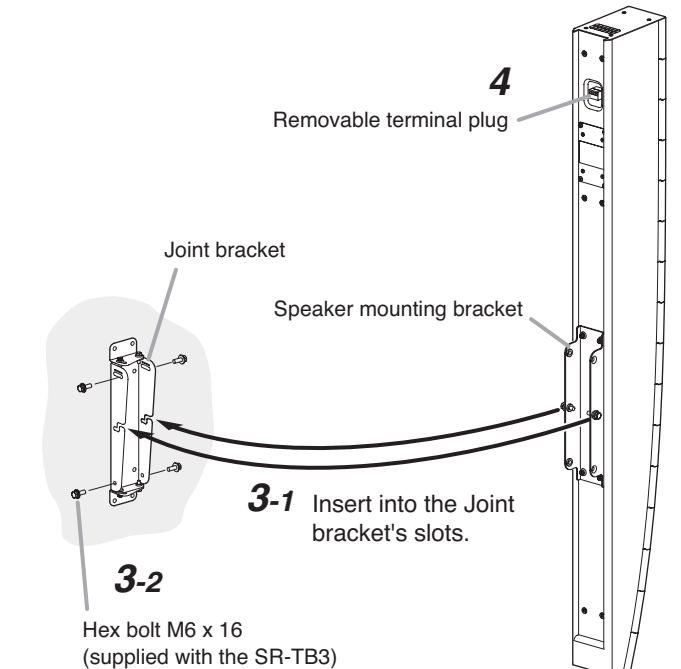


**Step 3. Install the speaker body to the Joint bracket.**

- 3-1.** Insert the hex bolts loosely fitted to the Speaker mounting bracket into the Joint bracket's slots.
- 3-2.** Fix the Speaker mounting bracket to the Joint bracket loosely with the 4 supplied hex bolts.

**Step 4. Connect the speaker cable to the removable terminal plug.**

For connection, refer to the instruction manual enclosed with the speaker.



**Step 5. Adjust the downward angle by moving the speaker body.**

Downward angle can be adjusted from 0° to 5°. After the speaker's vertical direction has been determined, securely tighten 6 bolts loosely fitted into the Speaker mounting bracket.

